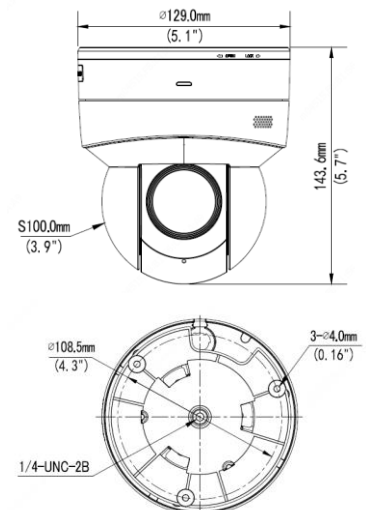


BCS-P-SIP155SR3-Ai2

PTZ WiFi network IP camera PTZ 5Mpx Starlight with microphone and loudspeaker



- 1 / 2.7 "5Mpx PS CMOS sensor
- Starlight technology
- H.265 + / H.264 + / MJPEG encoding
- Support for three coding streams
- ICR mechanical infrared filter
- Built-in web service, compliance with BCS-NVR, CMS (BCS Manager), mobile application (iOS, android), P2P
- AWB, AGC, BLC, HLC, ROI, EIS, ANR, Defog, 2D / 3D DNR, WDR (120dB) functions
- Motion detection, privacy masks
- Intelligent functions: perimeter protection, line crossing, intrusion into the area, number of people, missing / left object, face detection, auto-tracking
- Infrared with a range of 30m
- 2.7 ~ 13.5mm lens with 5 × zoom
- Inner housing
- 256GB microSD card slot
- Max working speed 60 ° / s, 350 ° rotation, TILT 0 ° ~ 90 °
- Automation functions: 1024 presets, 16 routes, 16 tracks
- Built-in microphone and speaker
- 1 input and 1 alarm output
- Possibility to connect via WiFi (IEEE802.11b / g / n)
- DC12V / PoE + (802.3at) power supply
- 4KV surge protection



BCS-P-SIP155SR3-Ai2

PTZ WiFi network IP camera PTZ 5Mpx Starlight with microphone and loudspeaker

Video system	IP
Scanning system	Progressive Scan
Sensor	1/2.7" 5Mpx CMOS
Pixels	2880(H) × 1620(V)
Min illumination	0.003Lux/F1.1 (Color, AGC); 0Lux(B/W, IR)
S / N ratio	> 56dB
Lens	Motozoom 2.7~13.5mm F1.2
The angle of view	H: 106.9°~30.6° V: 56.0°~17.7°
Optical / digital zoom	5× / 16×
Focus	Auto/manual
Iris	Auto
DORI	Detect 71-247m / Observe 28-99m / Recognize 14-49m / Identify 7-25m
White balance	(AWB) Auto/manual
Shutter	Auto/manual (1~1/100000s)
Background compensation	BLC / HLC / WDR(120dB)
Gain control	(AGC) Auto/manual
Noise reduction	2D/3D NR
Image rotation	Mirror, flip
Day / night function	ICR IR 30m
PAN range	0°~350°
TILT range	0°~90°
PAN speed	0.1°~60°/s (60°/s preset)
TILT speed	0.1°~50°/s (50°/s preset)
Automation functions	1024 preset, 16 tour, 16 pattern
Video compression	H.265 / H.265+ / H.264 / H.264+ / MJPEG
Main stream	5MP(2880×1620)@30fps
Second stream	2MP(1280×720)@30fps
Third stream	D1(720×576)@30fps
Network connection	RJ-45 (10/100Mbps), WiFi(IEEE802.11b/g/n)
Protocols	IPv4, IGMP, ICMP, ARP, TCP, UDP, DHCP, PPPoE, RTP, RTSP, RTCP, DNS, DDNS, NTP, FTP, UPnP, HTTP, HTTPS, SMTP, 802.1x, SNMP, QoS, RTMP, SSL/TLS, P2P
Compatibility	ONVIF(S/G/T)
Mobile users	iOS, android
Memory card slot	microSD 256GB
Interfaces	RS485
Audio input / output	Microphone/loudspeaker
Audio coding	G.711U,G.711A
Alarm input / output	1/1
Power	DC12V(±25%), PoE+(802.3at)
Power consumption	<15W
Working conditions	-10°C ~ +50°C
Case	Indoor
Dimensions and weight	Φ129mm×143.6mm 0.76kg

