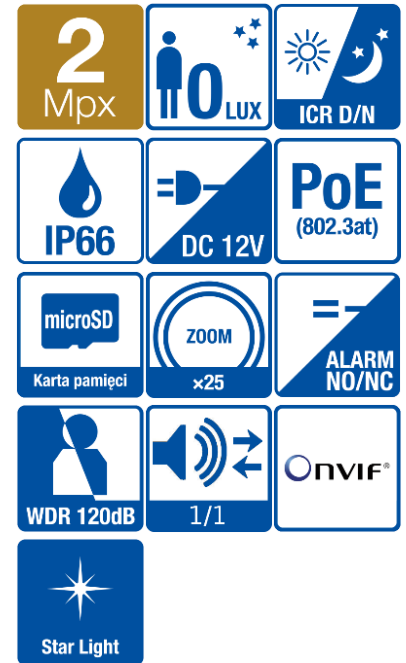
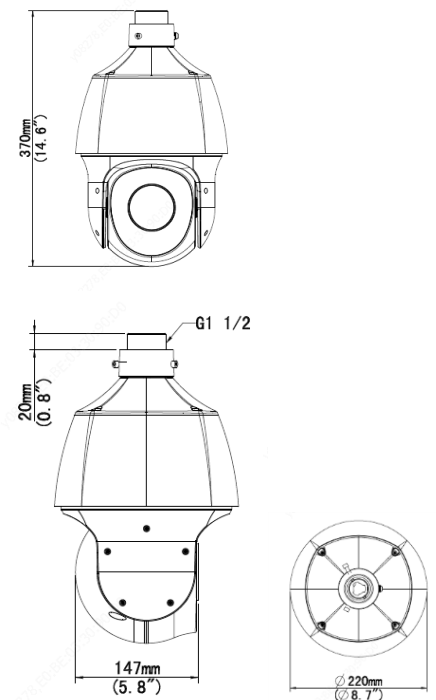


BCS-P-SIP4225SR15-Ai1

2Mpx Starlight PTZ IP camera with 25 × zoom



- 1 / 2.8 "2Mpx PS CMOS sensor
- Starlight technology
- H.265 + / H.264 + / MJPEG encoding
- Support for three coding streams
- ICR mechanical infrared filter
- Built-in web service, compliance with BCS-NVR, CMS (BCS Manager), mobile application (iOS, android), P2P
- AWB, AGC, BLC, HLC, ROI, EIS, ANR, Defog, 2D / 3D DNR, WDR (120dB) functions
- Motion detection, privacy masks
- Intelligent functions: perimeter protection, line crossing, intrusion, auto-tracking
- Infrared with a range of 150m
- 5 ~ 125mm lens with 25 × zoom
- IP66 outdoor housing
- 256GB microSD card slot
- Max working speed 180 ° / s, 0 ° ~ 360 ° rotation, -15 ° ~ 90 ° auto flip
- Automation functions: 1024 presets, 16 routes, 16 tracks
- 1 audio input and 1 audio output
- 2 alarm inputs and 1 alarm output
- DC12V / PoE + (802.3at) power supply
- 6KV overvoltage protection



BCS-P-SIP4225SR15-Ai1

2Mpx Starlight PTZ IP camera with 25 × zoom

Video system	IP
Scanning system	Progressive Scan
Sensor	1/2.8" 2Mpx CMOS
Pixels	1920(H) × 1080(V)
Min illumination	0.001Lux/F1.5 (Color, AGC); 0Lux(B/W, IR)
S / N ratio	> 52dB
Lens	Motozoom 5~125mm F1.5-F3.0
The angle of view	H: 54.37° ~ 2.68° V: 32.23° ~ 1.51°
Optical / digital zoom	25× / 16×
Focus	Auto/manual
Iris	Auto/manual
DORI	Detect 85-1707m / Observe 34-683m / Recognize 17-341m / Identify 8-171m
White balance	(AWB) Auto/manual
Shutter	Auto/manual (1~1/100000s)
Background compensation	BLC / HLC / WDR(120dB)
Gain control	(AGC) Auto/manual
Noise reduction	2D/3D NR
Image rotation	Mirror, flip
Day / night function	ICR IR 150m
PAN range	0°~360°
TILT range	-15°~90°, auto flip 180°
PAN speed	2°~75°/s (180°/s preset)
TILT speed	2°~75°/s (80°/s preset)
Automation functions	1024 preset, 16 tour, 16 pattern
Video compression	H.265 / H.265+ / H.264 / H.264+ / MJPEG
Main stream	2MP(1920×1080)@30fps
Second stream	720P(1280×720)@30fps
Third stream	D1(720×576)@30fps
Network connection	RJ-45 (10/100Mbps)
Protocols	IPv4, IGMP, ICMP, ARP, TCP, UDP, DHCP, PPPoE, RTP, RTSP, RTCP, DNS, DDNS, NTP, FTP, UPnP, HTTP, HTTPS, SMTP, 802.1x, SNMP, QoS, RTMP, SSL/TLS, P2P
Compatibility	ONVIF(S/G/T)
Mobile users	iOS, android
Memory card slot	microSD 256GB
Interfaces	RS485
Audio input / output	1/1
Audio coding	G.711U, G.711A
Alarm input / output	2/1
Power	DC12V(±10%), PoE+(802.3at)
Power consumption	<25W
Working conditions	-40°C ~ +65°C
Case	IP66
Dimensions and weight	Φ220mm×370mm 3.3kg



BCS-P-SIP4225SR15-Ai1

2Mpx Starlight PTZ IP camera with 25 × zoom

Pole mount
BCS-P-A32



Corner mount
BCS-P-A33



Junction box
BCS-P-A51



Ceiling mount
BCS-P-U54

